

MW08

WALL TOP ASSEMBLY

meir®

MATTE BLACK
MW08

CHROME
MW08-C

CHAMPAGNE
MW08-CH

TIGER
BRONZE
MW08-BB

AVAILABLE
FINISHES



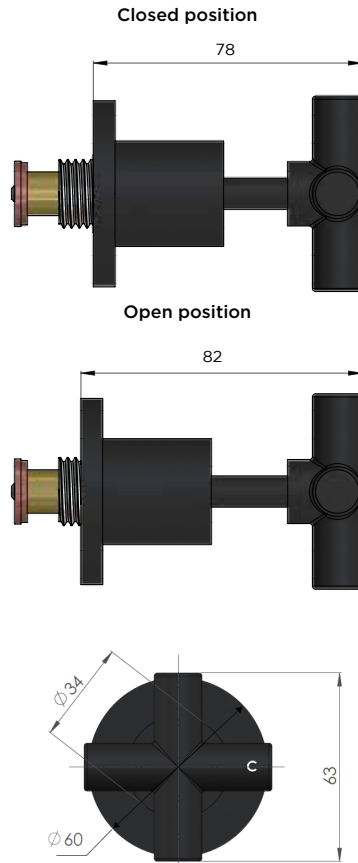
FEATURES

- 10 Year warranty
- Jumper-valve spindle
- Solid brass construction
- Box Weight 1Kg

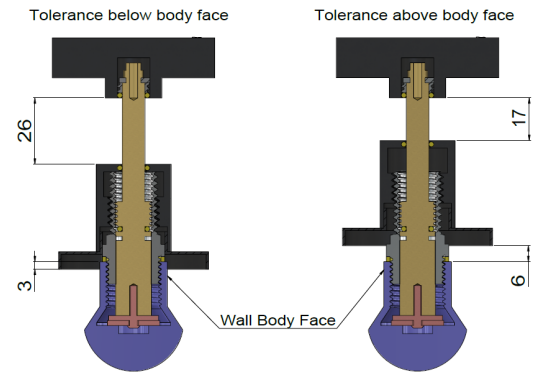
CARE

- Do not install tapware using any form of acetone silicones.
- Do not apply physical items (such as tools) directly to product.
- Never use house-hold or commercial detergents, citrus based cleaners, or abrasive cleaners.
- Clean using a mild washing soap solution rinsed, and dry with a soft cloth.
- Check for any product defects before installation.
- Refer to the installation manual for correct installation.

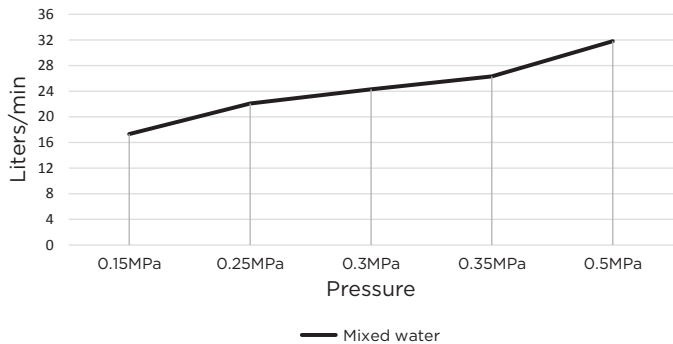
SPECIFICATIONS



TOLERANCES



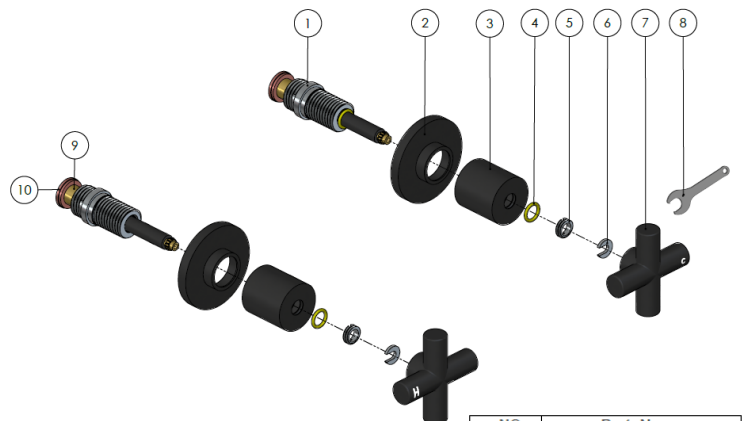
FLOW RATE GRAPH



CREDENTIALS

- Watermark AS/NZS 3718 WMKA25013

EXPLODED VIEW



NO.	Part-Name
1	Spindle
2	Back plate
3	Body
4	O-ring
5	Nut
6	Washer
7	Handle
8	Installation tool jumper valve
9	jumper valve
10	fiber washer