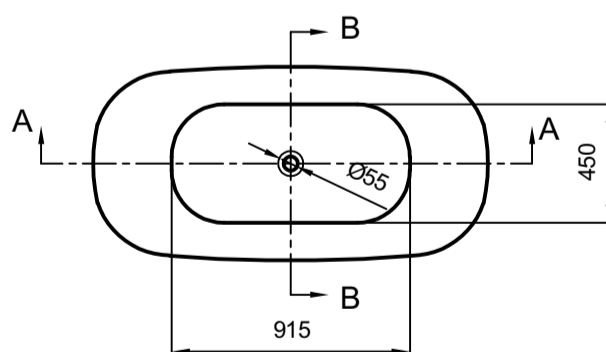
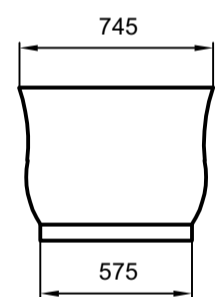
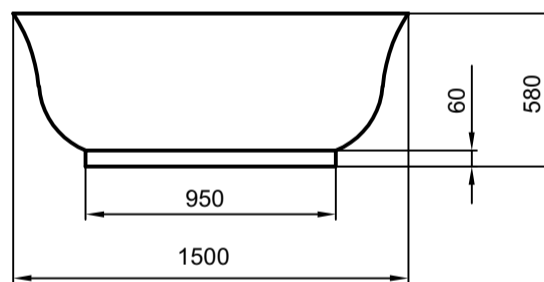


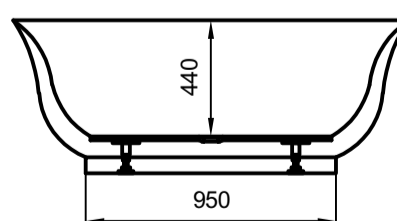


Features

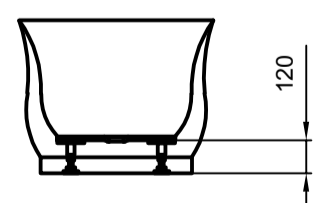
1. 1500 x 745 x 580mm.
2. Sanitary grade double skin acrylic construction.
3. Stainless steel supports with 4 adjustable legs.
4. Elegant appearance with modern design.



SECTION A-A



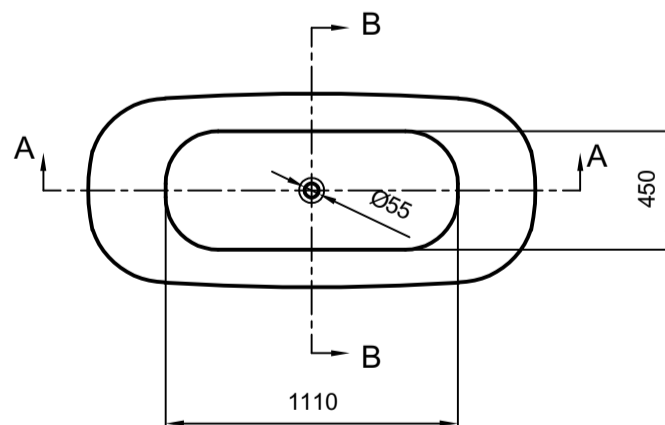
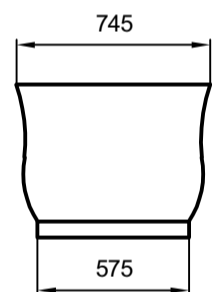
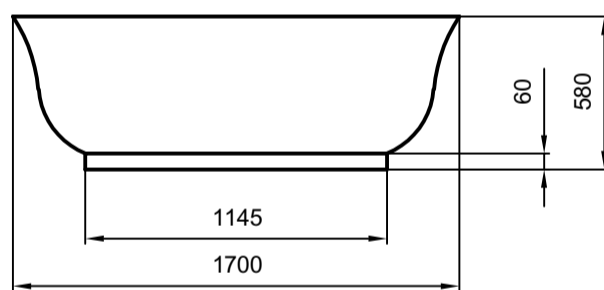
SECTION B-B



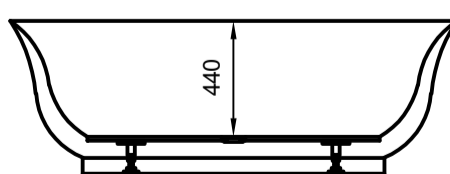


Features

1. 1700 x 745 x 580mm.
2. Sanitary grade double skin acrylic construction.
3. Stainless steel supports with 4 adjustable legs.
4. Elegant appearance with modern design.



SECTION A-A



SECTION B-B

