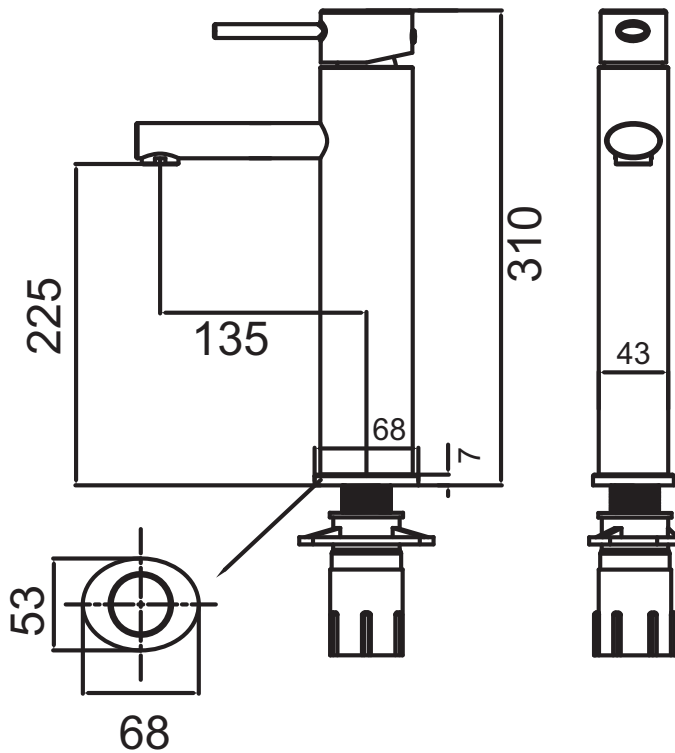


01-0059
OVALO HI RISE
BASIN MIXER



FINISH: Chrome

CONSTRUCTION: Brass
CARTRIDGE TYPE: 35mm ceramic
SUPPLY: Mains Pressure
CONNECTIONS: 1/2" BSP Female
WORKING PRESSURES: 150 - 500 kpa
OPERATING TEMPERATURE: 5°C to 70°C*

*Refer AS/NZS 3500

- 35mm ceramic disc cartridge can be adjusted to reduce water temperature settings, saving energy
- Solid brass construction for longevity
- Fixed spout fitted with Adjustable Stream Direction Aerator
- Hi rise body provides 225mm spout height for free standing basin applications
- Fast-fit installation method
- Stainless steel flexible hoses - 1/2" BSP female
- Suitable for mains pressure installation
- WELS 4 Star, 7.5l/min

THE METHVEN GUARANTEE. For total peace of mind, all domestic tapware products include a 15 Year Parts and Labour Guarantee. For commercial installations, a Five Year Guarantee on Parts and Labour and a 10 Year Guarantee on Cartridge Replacements applies. For full terms and conditions, visit www.methven.com.