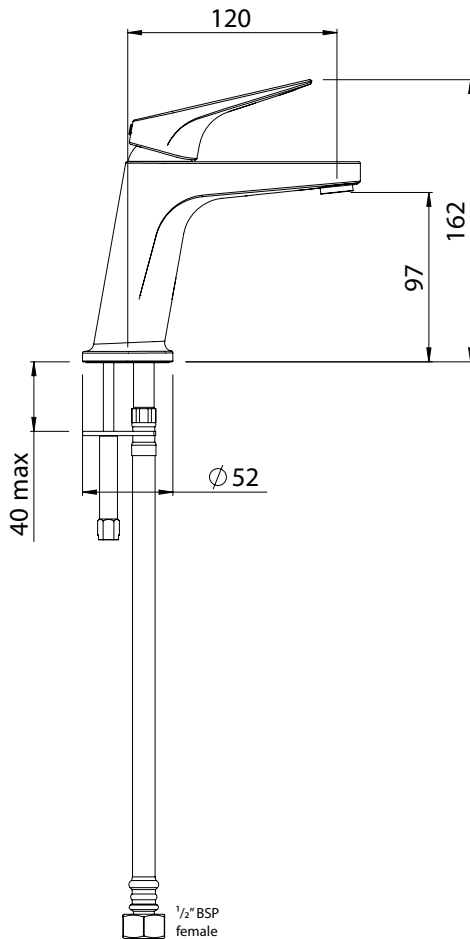


01-8505  
MAKU BASIN MIXER



**FINISH:** Chrome

**CONSTRUCTION:** Brass  
**CARTRIDGE TYPE:** 25mm  
**SUPPLY:** Mains Pressure  
**CONNECTIONS:** 1/2" BSP Female  
**WORKING PRESSURES:** 150 - 500 kpa  
**OPERATING TEMPERATURE:** 5°C to 70°C\*

\*Refer AS/NZS 3500

- 25mm ceramic disc cartridge
- Solid easy-to-grip handle
- Solid brass construction for longevity
- Adjustable Stream Direction Aerator with slim stream flow director
- Integrated base ring eliminates potential build-up of dirt, making cleaning easier
- Stainless steel flexible hoses - 1/2" BSP female
- Suitable for mains pressure installation  
WELS 4 Star, 7.5l/min

**THE METHVEN GUARANTEE.** For total peace of mind, all domestic tapware products include a 15 Year Parts and Labour Guarantee. For commercial installations, a Five Year Guarantee on Parts and Labour and a 10 Year Guarantee on Cartridge Replacements applies. For full terms and conditions, visit [www.methven.com](http://www.methven.com).