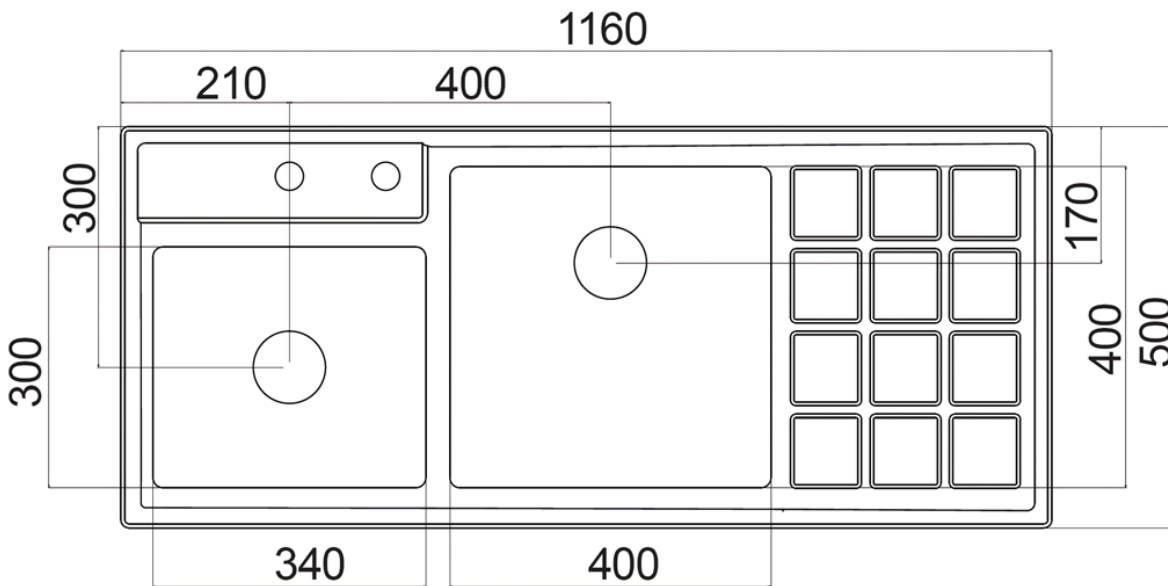




# Quadrum 2c 40 Plus Stainless Sink

93920/103

**TRAMONTINA**



**FINISH:** Scotch Brite

**SIZE:** 1160 X 500 X 184 + 215mm

**COUNTRY OF ORIGIN:** Brazil

**MATERIAL:** High grade 304 Stainless Steel

**FOOD SAFE:** Antibacterial hygiene protection

**INSTALLATION:** Top mount



*Free*

**LIFETIME WARRANTY**

FREE UPGRADE ON REGISTRATION



[www.linsol.com.au](http://www.linsol.com.au)

**PHONE** 1300 546 765 | **FAX** (02) 4228 0479 | **EMAIL** [INFO@LINSOL.COM.AU](mailto:INFO@LINSOL.COM.AU)

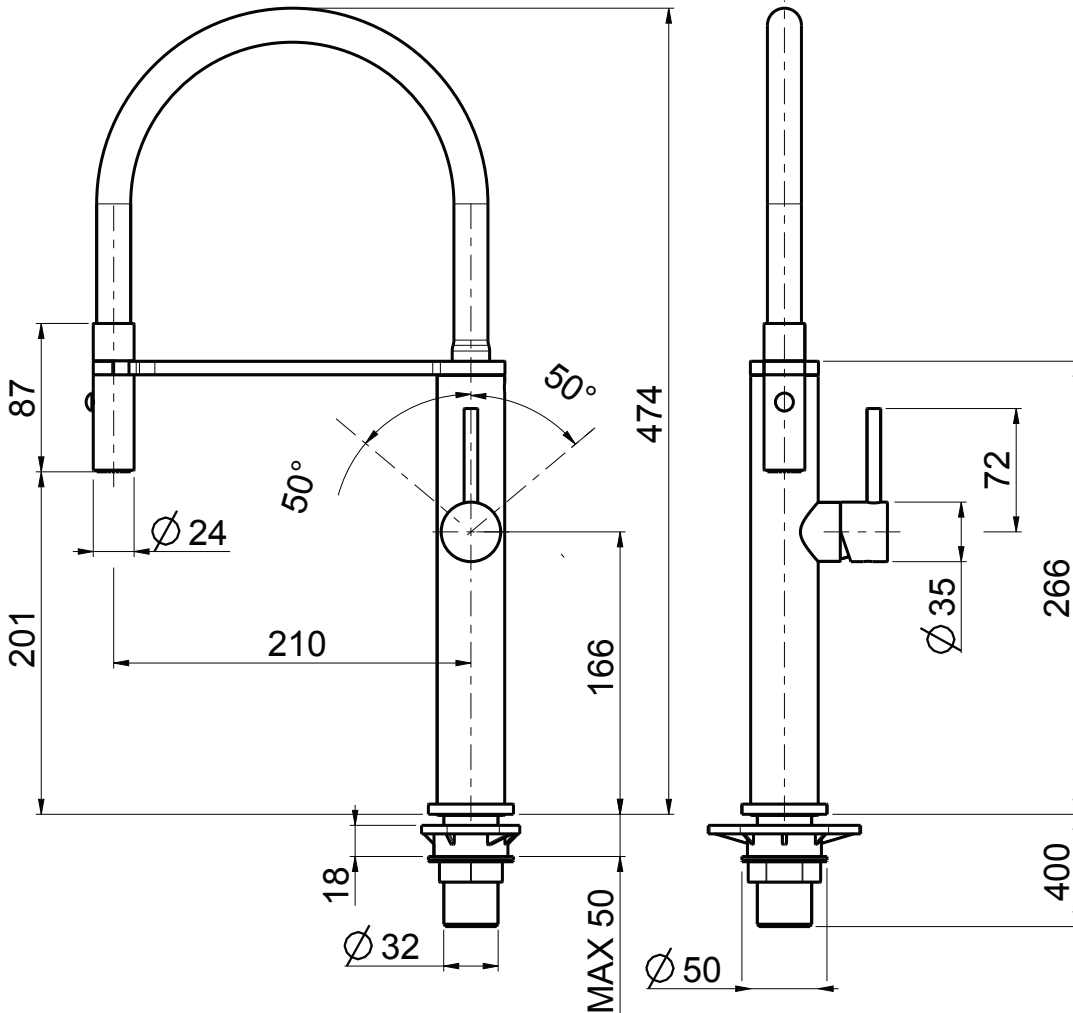
Art Design by:

**LINSOL**

Warranty is for domestic use only.  
All information is correct as at time of writing. The actual product may vary slightly and sizes may be scaled up or down.

# Luca Pull Out Sink Mixer

LUC - 01 / LUC GW-01



**FINISHES:** Chrome / Grey Wolf

**OPERATING PRESSURE:** From 150 up to 1200kpa

**WELS TESTED PRESSURE:** Up to 500kpa

**CONSTRUCTION:** Solid DZR Brass

**CARTRIDGE:** 25mm

**SUPPLY:** Mains Pressure



[www.linsol.com.au](http://www.linsol.com.au)

PHONE 1300 546 765 | FAX (02) 4228 0479 | EMAIL [INFO@LINSOL.COM.AU](mailto:INFO@LINSOL.COM.AU)

Warranty is for domestic use only. All information is correct as at time of writing. The actual product may vary slightly and sizes may be scaled up or down.



Art design by:

**LINSOL**