



Harvey Norman[®]

Online | Mobile | **Your Local** Store

SHOP *with* **CONFIDENCE** on Quality, Value and Service.

Call 1300 464 278 for your local store.

Bathroom & Tiles available at the following locations: • HARVEY NORMAN FLAGSHIP STORE @ AUBURN 9202 4888 • BALGOWLAH SUPERSTORE 9949 0100 • CAMPBELLTOWN SUPERSTORE 4621 5200 • CARINGBAH HOMEMAKER CENTRE 9589 8800 • CASTLE HILL 9840 8800 • GORDON 9496 9200 • LIVERPOOL 9600 3333 • MASCOT 9693 0710 • PENRITH SUPERSTORE 4737 5111 • PUNCHBOWL 9784 4400 • BENNETTS GREEN 4944 5000 • ERINA 4365 9888 • WARRAWONG 4223 8800 • FYSHWICK 6283 1200

Harvey Norman[®] stores are operated by independent franchisees.

DECINA

BATHROOMWARE
relaxing your senses

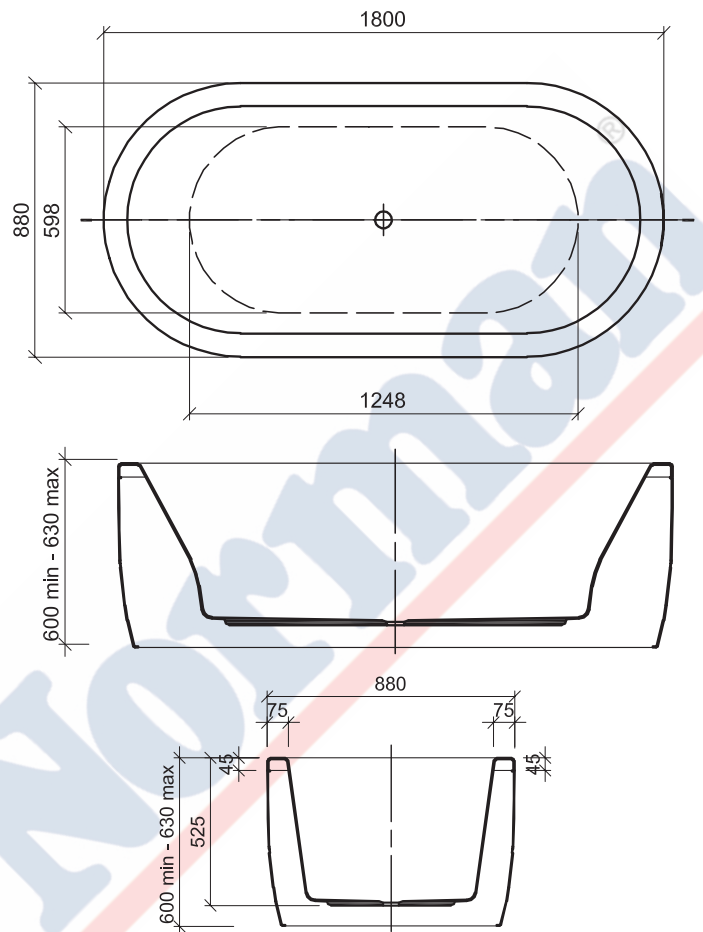






MIAMI

Freestanding Spa Bath



MIAMI 10 JET FREESTANDING SPA BATH

The Miami freestanding spa bath defines luxury and modern design. In a comfortable, classic oval shape, the removable side panels enclose the 750 Watt heat pump, making installation easy and allow the Miami to be freely located in the bathroom or en-suite.

SIZE (l)x(w)x(h)

- HNMI1800FSCNSPA ~ 1790 x 890 x 600-630 max* (mm)
- *Height adjustable

CAPACITY* & NET WEIGHT

- 190 litres 70kg
- *200mm below bath rim

WARRANTY:

- Ten year warranty -
Conditions apply please visit www.decina.com.au for details

KEY FEATURES

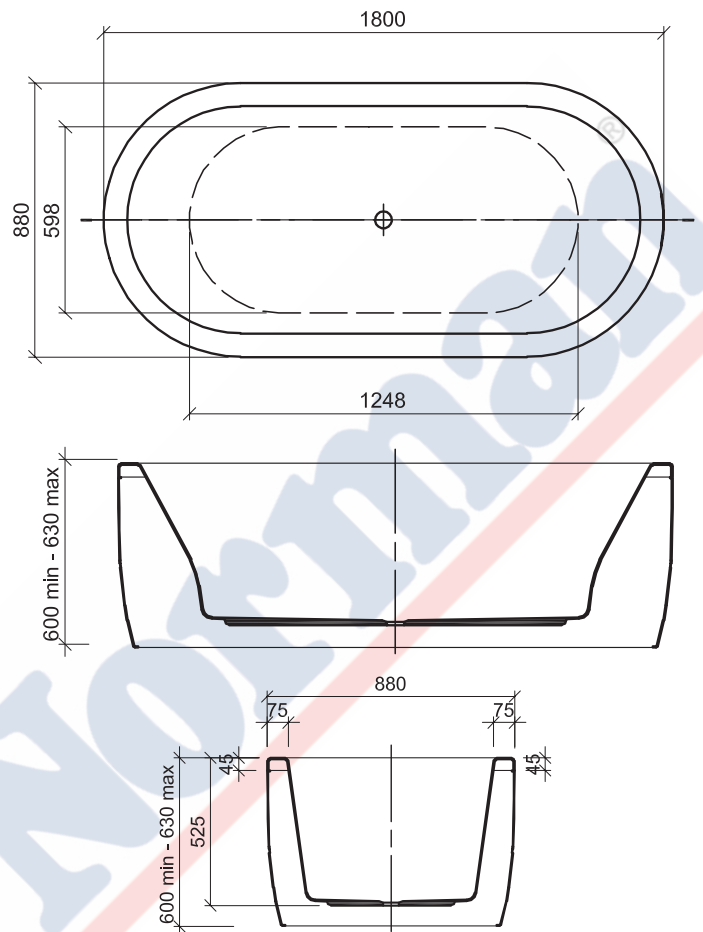
- Freestanding spa bath
- Made in Australia
- Made to Australian Standards: AS3861/1991
- Manufactured from premium sanitary grade acrylic
- Removable side panels for easy maintenance & installation
- Suitable for dual bathing
- High gloss white
- Centre waste position
- Plug & waste not included

SPA CONFIGURATION

- 750 Watt heat pump
- Touch pad control
- C-Lenda™ flush centro jet (x 6)
- C-Lenda™ fLush mini jet for lumabr massage (x4)
- C-Lenda™ flush air control (x2)
- C-Lenda™ flush suction (x1)

MIAMI

Freestanding Spa Bath



MIAMI 10 JET FREESTANDING SPA BATH

The Miami freestanding spa bath defines luxury and modern design. In a comfortable, classic oval shape, the removable side panels enclose the 750 Watt heat pump, making installation easy and allow the Miami to be freely located in the bathroom or en-suite.

SIZE (l)x(w)x(h)

- HNMI1800FSCNSPA ~ 1790 x 890 x 600-630 max* (mm)
- *Height adjustable

CAPACITY* & NET WEIGHT

- 190 litres 70kg
- *200mm below bath rim

WARRANTY:

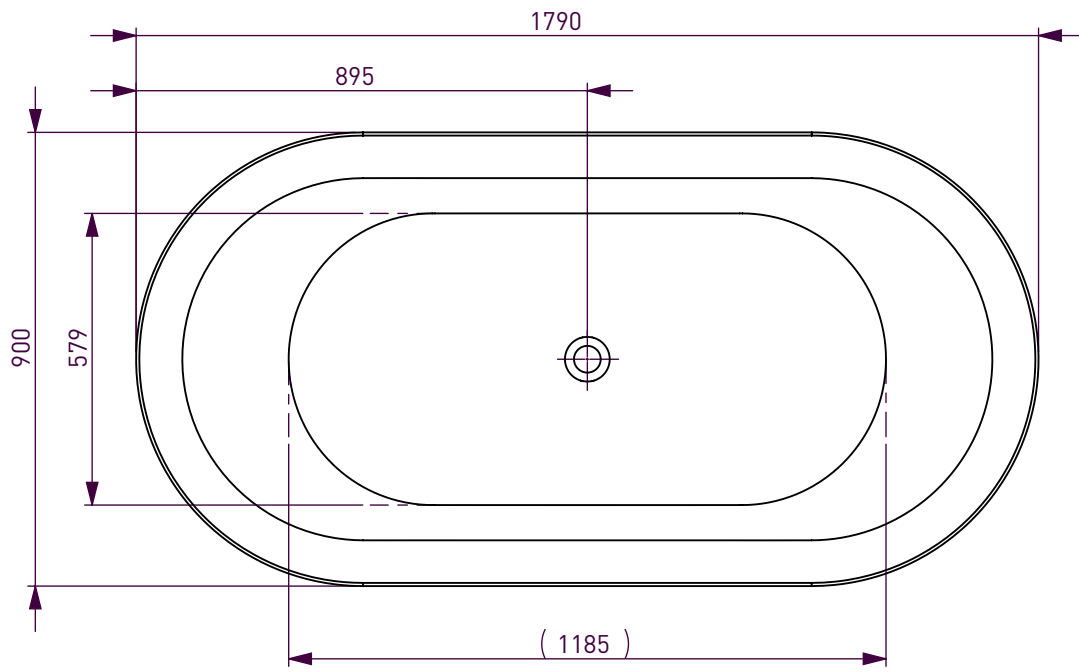
- Ten year warranty -
Conditions apply please visit www.decina.com.au for details

KEY FEATURES

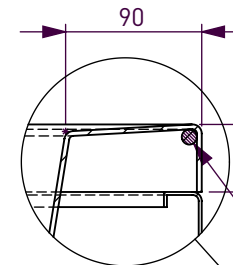
- Freestanding spa bath
- Made in Australia
- Made to Australian Standards: AS3861/1991
- Manufactured from premium sanitary grade acrylic
- Removable side panels for easy maintenance & installation
- Suitable for dual bathing
- High gloss white
- Centre waste position
- Plug & waste not included

SPA CONFIGURATION

- 750 Watt heat pump
- Touch pad control
- C-Lenda™ flush centro jet (x 6)
- C-Lenda™ fLush mini jet for lumabr massage (x4)
- C-Lenda™ flush air control (x2)
- C-Lenda™ flush suction (x1)



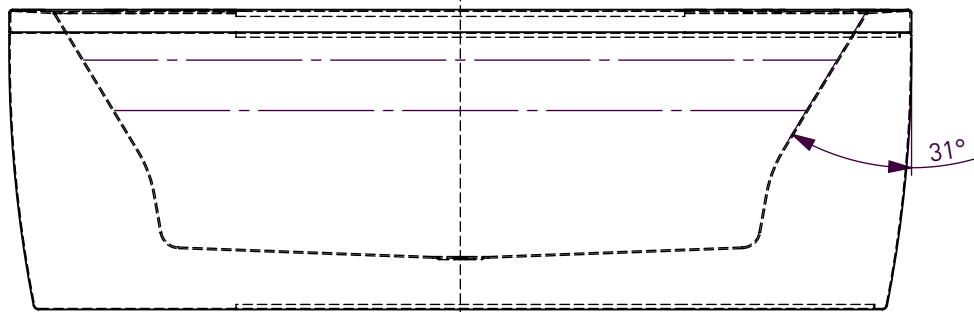
BATH VOLUME (APPROX)	
100mm Below Rim	278 Litres
200mm Below Rim	190 Litres



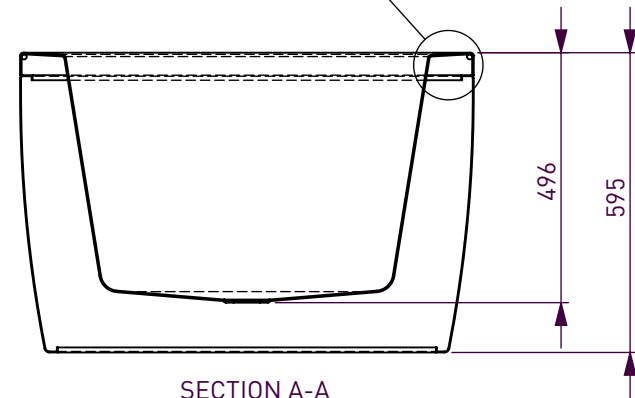
STEEL REINFORCING BAR

DETAIL A
SCALE 1 : 5

A →



← A



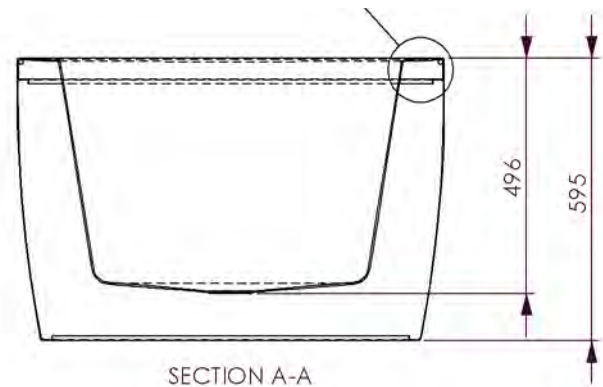
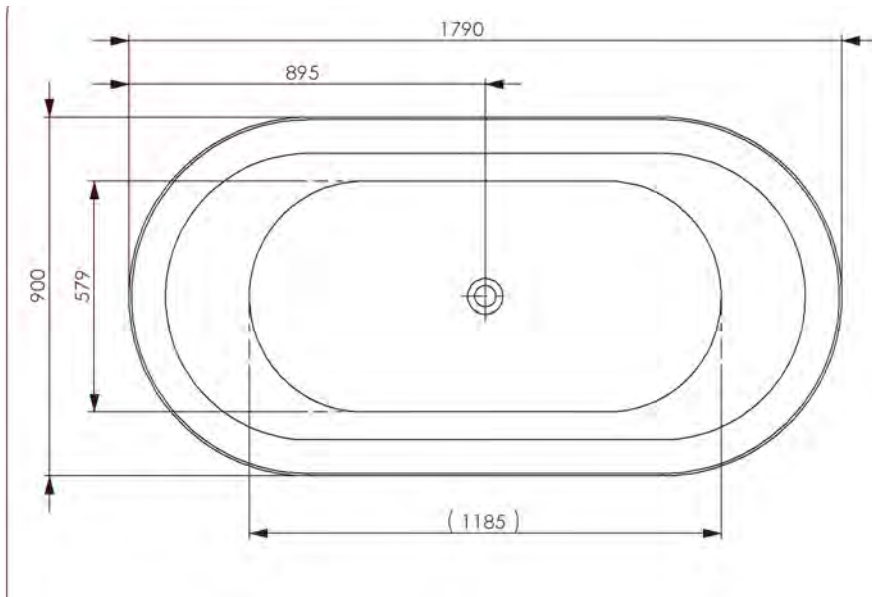
SECTION A-A

Baths

Mintori Contour Spa Bath

1790 x 900 x 595min-630max

The Mintori reflects Decina's continuing evolution and pursuit in innovation, design and technology. Removable panels (using patented magnetic fixing system) allow access to the bath for installation or cleaning.



*Terms and conditions apply please refer to the Decina catalogue or Decina website for full warranty information.