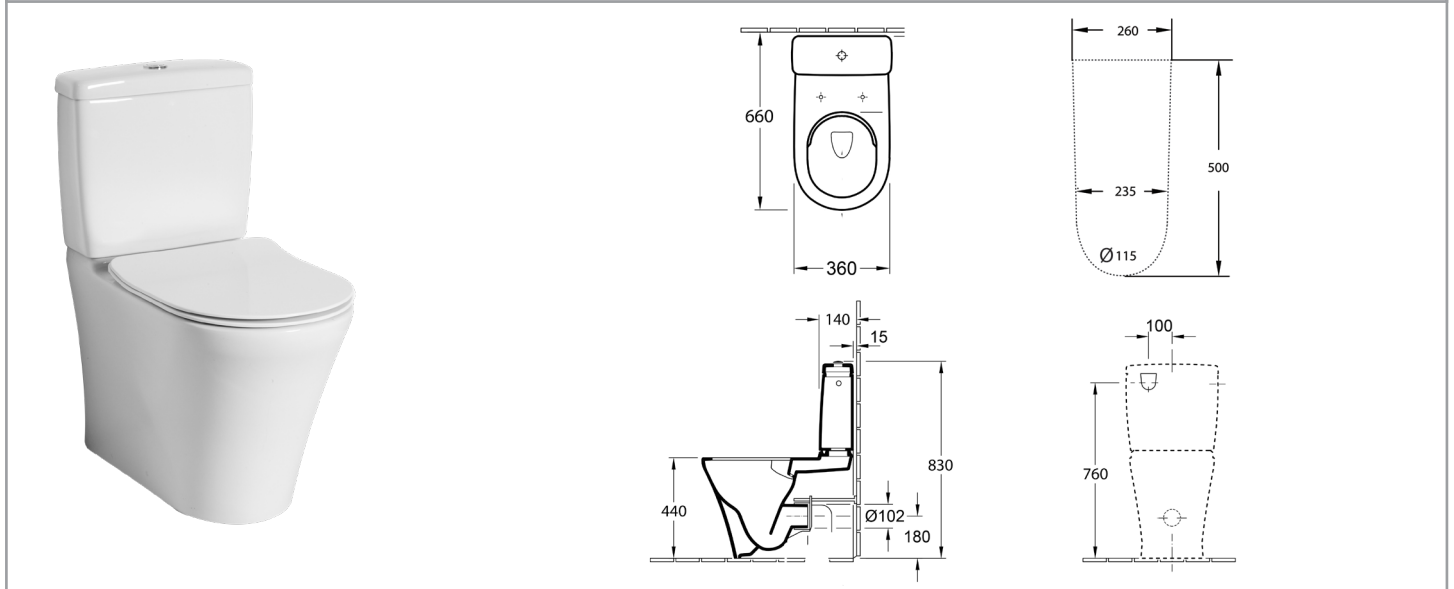




PAVIA 2.0 DIRECTFLUSH BTW TOILET SLIM SEAT

Product Image	Technical Specification
---------------	-------------------------



Water Entry:	Rear water entry requires 1/2" BSP male thread extending past the finished wall
---------------------	---

*S-Trap Set-out options	Distance from finished wall to centre of soil pipe	Vario Bend required	Installation Notes
Recommended	140mm	VT112	Supplied standard with S-trap Suites
Standard Adjustment Range	90-210mm	VT112	Supplied standard with S-trap Suites

Description

Pavia 2.0 DirectFlush BTW Toilet with Rear Water Entry & Slim Soft Closing Seat

4P06R101L4DB S-Trap
4P06R1R1L4DB S-Trap / CeramicPlus
4P06R001L4B P-Trap
4P06R0R1L4B P-Trap / CeramicPlus

Additional Information

- 5 Year Warranty *Conditions Apply

Direct Flush

Villeroy & Boch

Soft Closing

Villeroy & Boch

Ceramic Plus

Villeroy & Boch

3.5 litres average flush
4.5 L per full / 3 L per half flush

In accordance with AS/NZS 6400
 Licence No. 0008
 Argent Australia

