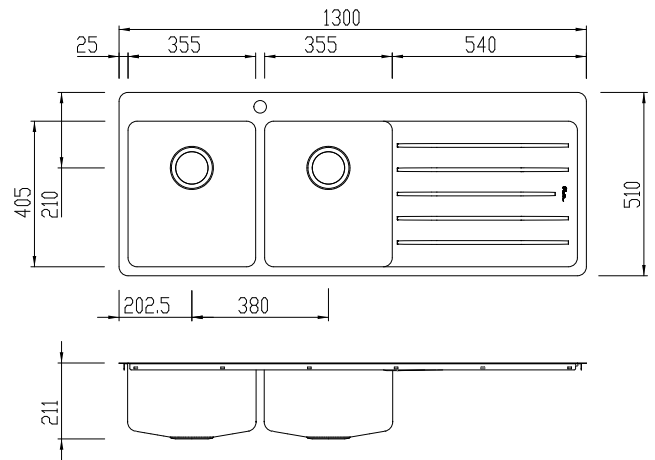


SN1071

Sonetto

Oliveri®

LEFT HAND BOWL SINK



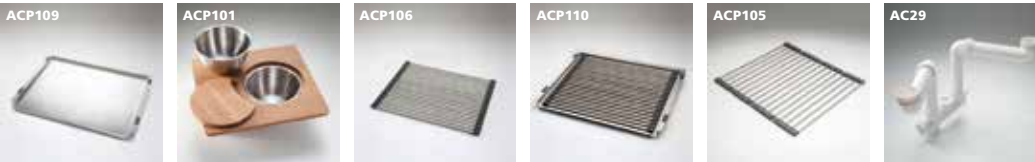
INCLUDED ACCESSORIES



RECOMMENDED TAPWARE



OPTIONAL ACCESSORIES



SPECIFICATIONS

Description

Double bowl inset sink with drainer

Sink Size

1300W x 510H

3/4 Bowl

355W x 405H x 205D / 30L

3/4 Bowl

355W x 405H x 205D / 30L

Construction

Fabricated with 25mm radius corners, Softtone™ and soundproofing.

Material

304 grade, 18/10 brushed stainless steel (1.2mm thick)

Installation

Inset recommended.

Fixings

Topmount clips supplied

Cut Out Template

1284 x 494 x 10mm radius

Min Cabinet Size

800mm

Tap holes

Available 1 tap hole only

Waste fittings

2 x 90mm basket wastes included

Overflow

Not available

Carton Size

1360 x 560 x 255mm

Weight

20.0kg

Warranty

Lifetime manufacturer's warranty (refer to oliverisinks.com)

For more information call **1300 13 7465** or visit **www.oliverisinks.com**

