

N 50
OVEN
B6ACH7AN0A



COOKING PASSION SINCE 1877



CircoTherm® - Neff's outstanding hot-air system for simultaneous baking and roasting on up to 3 levels.

Built-in oven with Hide® - the fully retracting oven door

- ✓ Hide® - the fully retracting oven door.
- ✓ CircoTherm® - Neff's outstanding hot-air system for simultaneous baking and roasting on up to 3 levels.
- ✓ The duo for perfect cleaning: Pyrolysis after heavy use - the oven interior cleans itself.
- ✓ EasyClean® - the environment-saving option for fast oven cleaning.
- ✓ Modern LED lighting for bright, even illumination.

Features

Technical Data

Color / Material Front : Stainless steel

Built-in / Free-standing : Built-in

Integrated Cleaning system : Hydrolytic, Pyrolytic

Required niche size for installation (HxWxD) : 585-595 x 560-568 x 550

Dimensions of the product (mm) : 595 x 594 x 548

Dimensions of the packed product (HxWxD) (mm) : 670 x 700 x 660

Control Panel Material : Glass

Door Material : Glass

Net weight (kg) : 36.806

Usable volume of cavity (l) : 71

Cooking method : Bottom heat, Bread Baking Setting, Conventional heat, Full width grill, Heißluft sanft, Hot Air, Hot air grilling, Pizza setting

First cavity material : Other

Temperature control : No control of the temperature

Number of interior lights : 1

Approval certificates : CE, VDE

Length electrical supply cord (cm) : 120

EAN code : 4242004237860

Number of cavities (2010/30/EC) : 1

Energy efficiency class (2010/30/EC) : A

Energy consumption per cycle conventional (2010/30/EC) : 1.04

Energy consumption per cycle forced air convection (2010/30/EC) : 0.81

Energy efficiency index (2010/30/EC) : 95.3

Electrical connection rating (W) : 3600

Current (A) : 16

Voltage (V) : 220-240

Frequency (Hz) : 60; 50

Plug type : no plug

Included accessories

1 x combination grid, 1 x universal pan

Optional accessories

Z11CR10X0 Baking and roasting grid (standard)
 Z11TF36X0 3 level telescopic rails, full ext
 Z12CN10A0 Professional pan, anthracite enamelled
 Z12CQ10A0 Grill tray, anthracite enamelled
 Z13CV05S0 Cover Strip
 Z19DD10X0 Steam set for ovens



4 242004 237860

N 50
OVEN
B6ACH7AN0A

Features

Heating Functions

- Oven with 8 heating methods:
 - CircoTherm®
 - Top/bottom heating
 - Circo-roasting
 - Full surface grill
 - CircoTherm® Intensive
 - Bread Baking
 - Bottom heating
 - Hotair gentle
- Temperature range 30 °C - 275 °C
- Cavity volume: 71 net usable litres

Hook-in racks / rails

- Large capacity oven with shelf supports, Telescopic shelf rails available as optional accessory

Design

- Rotary Control, Retractable control knobs
- Enamel grey with 4 shelf positions

Cleaning

- Pyrolytic self cleaning
- EasyClean® Cleaning aid programm
- Full glass inner door - safer touch door

Convenience

- White LCD display
- Electronic clock
- Rapid heating-up
- Halogen lighting
- Cooling fan
- Bar handle

Accessories

- 1 x combination grid, 1 x universal pan

Safety and Environment

- Maximum door temperature 30° C
- Automatic door lock during pyrolysis
 - Individual adjustable child lock
 - Safety switch off
 - Residual heat indicator

Technical Info

- Length of mains cable: 120 cm
- Nominal voltage: 220 - 240 V
- Total connected load electric: 3.6 KW

Dimensions

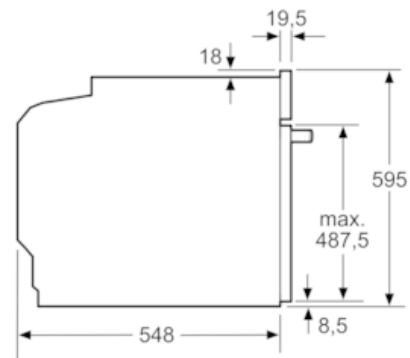
- Appliance dimensions (HxWxD): 595 mm x 594 mm x 548 mm
- Installation dimensions (HxWxD): 585 mm - 595 mm x 560 mm - 568 mm x 550 mm
- Please reference the built-in dimensions provided in the installation drawing

N 50
OVEN
B6ACH7AN0A

Dimensioned drawings

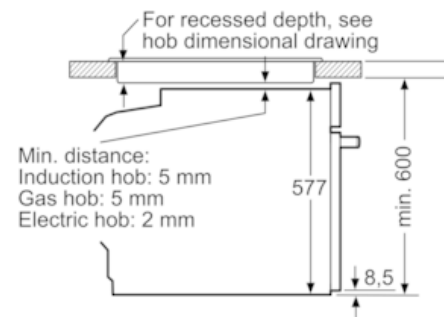
If the appliance will be installed underneath a hob, the following worktop thicknesses (including substructure if necessary) must be taken into account.

Hob type	min. worktop thickness	
	fitted	flush
Induction hob	37 mm	38 mm
Full surface Induction hob	47 mm	48 mm
Gas hob	30 mm	38 mm
Electric hob	27 mm	30 mm

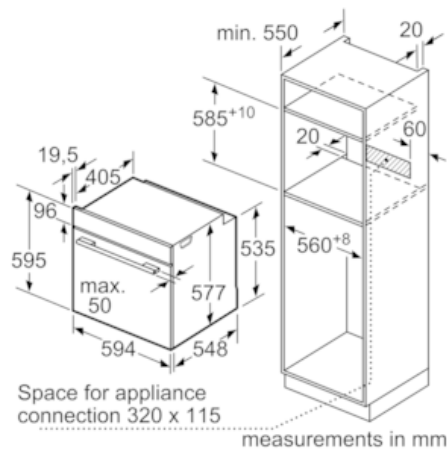


measurements in mm

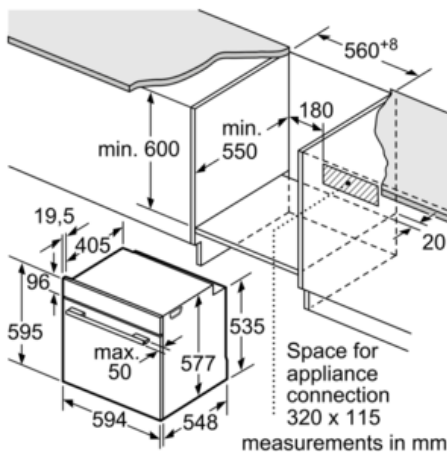
Installation with a hob.



measurements in mm



measurements in mm



measurements in mm