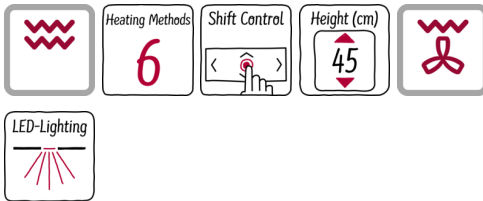


N 70
 COMPACT OVEN WITH MICROWAVE
 C17MR02NOB



COOKING PASSION SINCE 1877



Compact built-in oven with integral microwave - even more ways to cook quickly and conveniently in a very small space.

- ✓ Compact oven with microwave - even more ways to cook quickly and conveniently.
- ✓ ShiftControl - fast navigation through menus and simple operation with the TFT display.
- ✓ Modern LED lighting for bright, even illumination.
- ✓ Hinged door with cushioned opening and closing.

Features

Technical Data

Type of micro-wave oven : MW-Combi
 Type of control : Electronic
 Color / Material Front : Stainless steel
 Dimensions of the product (mm) : 455 x 596 x 548
 Cavity dimensions (mm) : 237.0 x 480 x 392.0
 Length electrical supply cord (cm) : 150
 Net weight (kg) : 35.333
 Gross weight (kg) : 38.0
 Maximum micro-wave power (W) : 900
 Number of Power Levels : 5
 Turntable : No
 Heating type : 4D hot air, Combi microwave constant, Full width grill, Half width grill, Hot Air-Eco, Hot air grilling, Microwave, pre-heating
 Cavity material : Enamelled steel
 Door opening : Handle
 Clock : Yes
 Included accessories : 1 x combination grid, 1 x universal pan
 Main colour of product : Stainless steel
 Height of the product (mm) : 455
 Width of the product (mm) : 596
 Depth of the product : 548
 Maximum micro-wave power (W) : 900
 Connection Rating (W) : 3600
 Current (A) : 16
 Voltage (V) : 220-240
 Frequency (Hz) : 60; 50
 Plug type : no plug
 Color / Material Front : Stainless steel
 Approval certificates : CE, VDE
 Required cutout/niche size for installation (in) : x x
 Appliance Dimensions (h x w x d) (in) : x x
 Dimensions of the packed product (in) : 20.86 x 26.37 x 26.77
 Net weight (lbs) : 78
 Gross weight (lbs) : 83

Optional accessories

Z11GT10X3 : Glass roasting dish, 5,4l, Z11GU20X0 : Glasspan, Z11SZ00X0 : SeamlessCombination mounting kit, Z11SZ60X0 : SeamlessCombination 45 + 14cm, Z11SZ90X0 : SeamlessCombination 60 + 45cm, Z12CB10A0 : Baking tray, anthracite enamelled, Z12CM10A0 : Moussaka pan, anthracite enamelled, Z12CP10A0 : Pizza pan, anthracite enamelled, Z12CQ10A0 : Grill tray, anthracite enamelled, Z12CU10A0 : Multipurpose pan, anthracite enamelled, Z13CV06S0 : Decor strip, Z14CR10X0 : Baking and roasting grid (microwave), Z18M44X0 : Cookbook, Z1913X0 : Baking Stone, Z19DD10X0 : Steam set for ovens, Z99RX70X0 : Connecting cable 3m



4 242004 182177

N 70

COMPACT OVEN WITH MICROWAVE

C17MRO2NOB

Features

Heating Functions

- Compact oven with microwave with 6 heating methods:
 - Hot Air
 - CircoTherm® Eco
 - Circo-roasting
 - Full surface grill
 - Centre area grill
 - Plate warming
- Additional heating methods with microwave: Pure microwave, Combination microwave and conventional oven
- Temperature range 30 °C - 275 °C
- Max. Power: 900 W; 5 Microwave power settings (90 W, 180 W, 360 W, 600 W, 900 W) with Inverter (MW)
- Intelligent inverter technology: maximum output power will be regulated to 600 W when used in longer operation
- Cavity volume: 45 net usable litres

Design

- Illuminated ShiftControl
- Anthracite enamel cavity with 3 shelf positions

Cleaning

- Microwave top door

Convenience

- 2.5" colour and text Display with ShiftControl
- Temperature proposal
 - Optical temperature control
 - Actual temperature display
- Drop down door, SoftMove oven door with soft open and soft close, SoftOpen
- Automatic programs
- Number of automatic programmes: 14 PC
- Electronic clock
- Rapid heating-up
- LED lighting
- Cooling fan
- Stainless-steel fan
- Info button
- Bar handle

Hook-in racks / rails

- Cavity with shelf support rails, Telescopic slide-out Not available

Accessories

- 1 x combination grid, 1 x universal pan

Safety and Environment

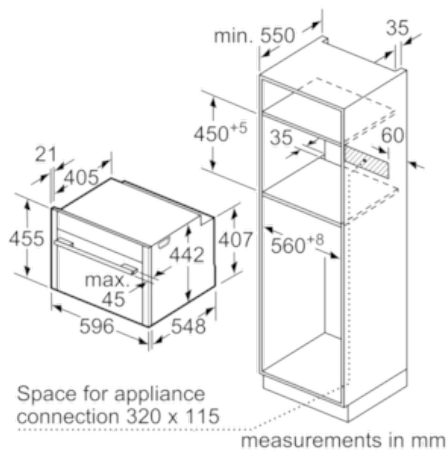
- Individual adjustable child lock
 - Safety switch off
 - Residual heat indicator
 - start button
 - Door contact switch

Technical Info

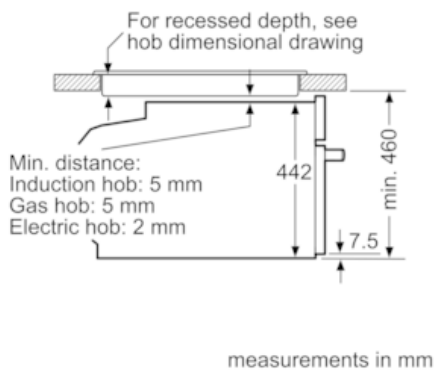
- Length of mains cable: 150 cm
- Total connected load electric: 3.6 KW
- Appliance dimensions (HxWxD): 455 mm x 596 mm x 548 mm
- Installation dimensions (HxWxD): 450 mm - 455 mm x 560 mm - 568 mm x 550 mm
- Please reference the built-in dimensions provided in the installation drawing

N 70
 COMPACT OVEN WITH MICROWAVE
 C17MR02NOB

Dimensioned drawings



Installation with a hob.



If the compact appliance will be installed underneath a hob, the following worktop thicknesses (including substructure if necessary) must be taken into account.

Hob type	min. worktop thickness	
	fitted	flush
Induction hob	42 mm	43 mm
Full surface Induction hob	52 mm	53 mm
Gas hob	32 mm	43 mm
Electric hob	32 mm	35 mm