

Serie | 6
SMU66JS01A
Anti-fingerprint stainless steel finish
Built-under 60 cm Dishwasher

ActiveWater Dishwasher: 14 place setting capacity, brilliant cleaning and drying results with very low energy and water consumption.

- **4 star energy & 5 star water rating:** High energy efficiency and low water consumption.
- **SuperSilence:** Very low operating noise at only 44 dB(A).
- **MachineCare:** Maintains the wash quality and reliability of your dishwasher throughout its lifetime.
- **Super Wash System:** For optimum cleaning and drying even the dirtiest dishes and utensils, with higher water spray pressure and improved drying performance.

Technical Data

Water consumption (l) :	11.0
Built-in / Free-standing :	Built-in
Height of removable worktop (mm) :	815
Required niche size for installation (HxWxD) :	815-875 x 600 x 550
Depth with open door 90 degree (mm) :	1150
Adjustable feet :	Yes - front only
Maximum adjustability feet (mm) :	60
Net weight (kg) :	39.4
Gross weight (kg) :	42.0
Connection Rating (W) :	2400
Current (A) :	10
Voltage (V) :	220-240
Frequency (Hz) :	50; 60
Length electrical supply cord (cm) :	175
Plug type :	AU plug
Length inlet hose (cm) :	140
Length outlet hose (cm) :	190
EAN code :	4242005098514
Number of place settings :	14
Energy consumption (kWh) :	0.60
Reference programme :	Eco
Total cycle time of reference programme (min) :	180
Noise level (dB) :	44
Installation typology :	Built-under

Optional accessories

- SGZ1010 : inlet and outlet hose extention
- SMZ2014 : Rack insert for stemware dishwasher
- SMZ5001 : Baby care kit
- SMZ5005 : Compensating + fixing kit, stainl. steel
- SMZ5150AU : toe kick panel stainless steel
- SMZ5300 : GlassSecure Tray



4 242005 098514

Serie | 6 Dishwashers

SMU66JS01A

Anti-fingerprint stainless steel finish Built-under 60 cm Dishwasher

ActiveWater Dishwasher: 14 place setting capacity, brilliant cleaning and drying results with very low energy and water consumption.

Capacity

- 14 international place settings

Consumption rates

- 4 Star energy rating, 5 Star WELS water rating
- 11 litres water consumption per wash and 220kWh energy consumption per year, based on Eco 45°C program

Design

- Built-under Dishwasher - 60 cm wide
- Anti-fingerprint stainless steel finish
- Stainless steel interior tub
- Effortless door closing: The door self-closes when below a 20° angle.
- Front facing control display

Wash Programs and Options

- 6 programs:
 - Auto Intensive: Pots & Pans. Baked-on food & grease, 65-75 °C.
 - Auto Wash: Automatic wash & dry. Mixed loads & soil levels, 45-65°C.
 - Super Wash: Powerful wash with improved drying, 60 °C.
 - Eco Wash: Energy efficient wash & dry. Mixed loads & soil levels, 45°C.
 - Quick Wash, 60 minutes: Quick wash & dry in 60 minutes. Mixed loads & soil levels, 65 °C.
 - Quick Wash, 29 minutes (with use of rinse aid): Express wash only. Lightly soiled dishes, 45 °C.
- 4 special options:
 - Machine Care: Helps remove grime and limescale buildup for optimum performance.
 - SpeedPerfect: Up to 50% faster wash time.
 - HalfLoad: For half loads, reduces energy, water & time.
 - ExtraDry: Provides an even better drying result.

Performance

- ActiveWater™: Automatic load adjustment recognises the load condition in three steps and ensures that only the amount of electricity and water required for that load is used
- DosageAssist™: Maximises the effectiveness of detergent tablets. The tablet is dropped into a specially engineered

tray and is completely dissolved. For superior cleaning performance and a quieter wash.

- EcoSilence Drive® quiet and energy-efficient brushless motor (BLDC)
 - BLDC Main Pump: Variable water & spray pressure to achieve optimum cleaning results
 - BLDC Drain Pump: Fast and extra quiet draining of water, no gurgling sounds
- AquaSensor™ technology: Regulates the water usage depending on the type and degree of soiling
- LoadSensor technology: Provides for optimal water usage even for half loads or partial loads, saving water and electricity
- AutoBrilliance™: Automatic detergent and rinse aid sensor
- Heat Exchanger: Hygienic fully enclosed drying system – does not draw contaminated air (dust & allergens) from the dishwasher exterior. Reduces temperature shock, water & energy use.
- 3 stage self-cleaning filter system
- Alternating spray-arm washing
- 5 Spray levels

Flexibility

- VarioFlex™ Plus basket system with red coloured touchpoints
- 4 foldable plate racks in top basket
- 4 foldable plate racks in bottom basket
- RackmaticPlus™: 3-stage top basket can be adjusted to three height levels to maximise convenience
- Moveable cutlery basket in lower basket
- 3 x Small Parts holders: Perfect for baby bottles and small accessories
- Large item spray head: For washing extra large items such as baking trays and rangehood filters
- Vapour barrier protection plate

Convenience

- Whisper Quiet: Operates at a low noise level of 44dB(A)
- Time remaining display
- Time delay start: Delay programme start time by 1-24 hours to suit your schedule
- Electronic rinse aid indicator

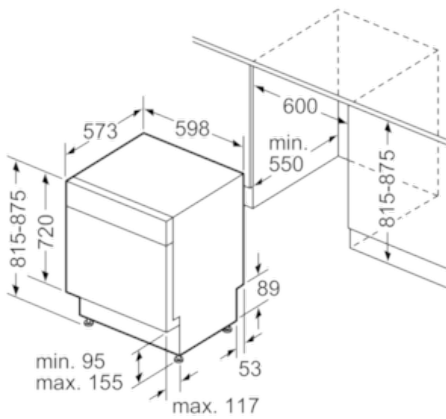
Safety

- AquaStop™ Plus: Water supply device with lifetime anti-flood protection
- Child door lock
- Button child lock
- 10 year rust-through warranty for the inner tub

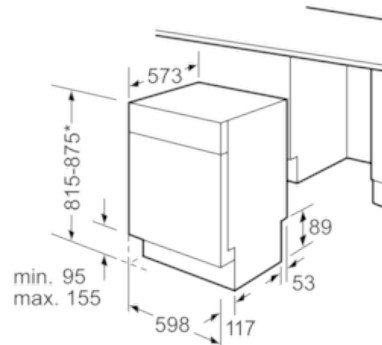
2 year warranty

Dimensions

- 815-875 mm x 598 mm x 573 mm

Serie | 6 Dishwashers
SMU66JS01A
**Anti-fingerprint stainless steel finish
Built-under 60 cm Dishwasher**


measurements in mm



* Can be set using height-adjustable screw feet
 Base height (when appliance height is 815) - 95 mm
 Base height (when appliance height is 875) - 155 mm
 measurements in mm