

ILVE HNF190WMP SERIES

90CM FREESTANDING COOKERS

INDUCTION COOKTOP & ELECTRIC OVEN



Unlike normal electric cooktops, induction technology produces heat by creating a magnetic field which generates heat directly to the cooking vessel. This means that the heat is instantaneous, temperature control is immediate and the heat is evenly spread over the bottom of the pan, meaning no more annoying hot or cold spots, the ILVE induction elements also include booster zones to minimize heat up times even further.



Available Colours



Stainless Steel



Bright White



Gloss Black

Pictured: HNF190WMP/I Cooker in Stainless Steel

ILVE HNFI90WMP SERIES

90CM FREESTANDING COOKERS

INDUCTION COOKTOP & ELECTRIC OVEN



HNFI90WMP Freestanding Cooker

Available in Stainless Steel, Bright White or Gloss Black

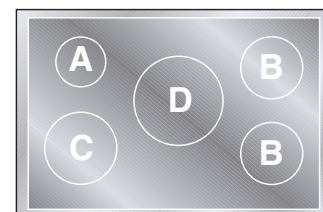
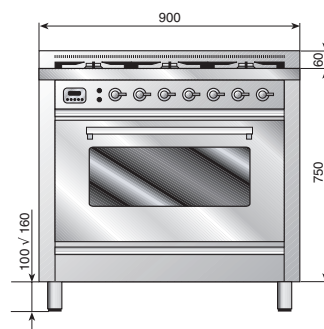
Features

90cm Electric Oven

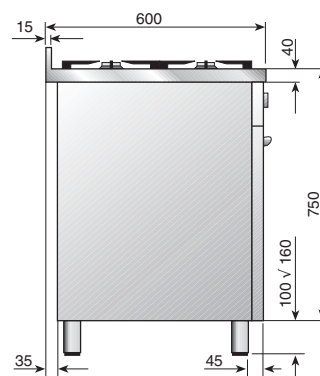
- Giant 110 litre oven capacity
- New Turbowave Quickstart preheating function 0°C–175°C in 8 minutes
- Pizza, bread and pastry cooking function
- Recessed grill element
- Select 10 multifunction electric oven
- Inner door and control panel cooling fan
- 2 x Oven racks and baking tray with grill insert
- Removable oven door and inner door glass
- Easy dismantling of oven interior
- European A class energy rating
- Easy clean non staining black vitreous enamel oven interior
- Pre-programmable Clock and Oven timer
- Thermostatically controlled cavity cooling fan
- Catalytic cook and clean interior on oven sides and rear
- Sealed Oven: Lower temperatures, less food splatter, moister and fresher tasting roasts
- Double spill trays on floor of oven
- Positive stop glide internal trays
- Large baking tray
- Triple glazed glass door: Tinted to keep the heat inside the oven and resulting in a 'cool to touch' door exterior
- Stainless steel legs can detach and are adjustable from 100mm to 160mm

90cm 5 Zone Induction Cooktop

- Designed for simple operation
- All zones with booster and 'keep warm' function
- Simmer mode
- 9 cooking temperature variations
- Easy to clean ceran surface
- Residual heat indicator
- Fast heat-up time
- Auto heat reduction
- 1 small cooking zone – 1400W - 1800W
- 2 medium cooking zones – 1850W - 2500W
- 1 large zone – 2300W - 3300W
- 1 extra large zone – 2400W - 3400W



HNFI 90 WMP
Induction



Model: HNFI 90 WMP
Total electrical load: 15.5 kW

AMPS Cooktop: 48
AMPS Oven: 16
Total: 65 AMPS

[youtube.com/ILVEappliances](https://www.youtube.com/ILVEappliances) **BLOG** livewithilve.com

Australia National Telephone Number 1300 MYILVE (694 583) New Zealand Telephone Number 0508 458 369
ILVE showrooms are open daily from 9am-5pm and Saturdays 10am-4pm (WA by appointment only on Saturdays)

ilve.com.au

NSW & ACT (Head Office)
48-50 Moore Street
Leichhardt
F 02 8569 4699

VIC, TAS & SA
1211 Toorak Road
Camberwell
F 03 9809 2155

QLD
1/42 Cavendish Road
Coorparoo
F 07 3397 0850

WA & NT
Unit 10/55 Howe Street
Osborne Park
F 08 9201 9188

New Zealand
PO Box 11.160
Sockburn Christchurch
F 03 344 5906

DISCLAIMER

Eurolinx PTY LTD, trading as ILVE Appliances, is continually seeking ways to improve the design specifications, aesthetics and production techniques of its products. As a result alterations to our products and designs take place continually. Whilst every effort is made to produce information and literature that is up to date, this brochure should not be regarded as an infallible guide to the current specifications, nor does it constitute an offer for the sale of any particular product. Product dimensions indicated in our literature is indicative only. Actual product only should be used to define dimension cutouts. Distributors, and retailers are not agents of ILVE Appliances and are not authorized to bind ILVE Appliances by any express or implied undertaking or representation.